



# SPECIFICATIONS & PARTS

## Zebra® Simple Disk Skimmer

### L Series - Technical Specifications

Shown: LH300 model w/12" (300mm) disk  
 Motor: Refer to charts below  
 Mounting Holes: 7/32" (5.5mm), 2.5" (63.5mm) between centers  
 Discharge Hose: None needed (discharge trough to discharge container)  
 Shipping Weight: 9 lbs. (4 kg)

### L Series - Replacement Parts & Accessories

#### Replacement Disks, Wipers, and Collars

LH Series	DISK-H300	12" (300mm) Disk, 1/4" (6.35mm) thick, temps to 90°F (32°C)
	DISK-H460	18" (460mm) Disk, 1/4" (6.35mm) thick, temps to 90°F (32°C)
	DISK-H610	24" (610mm) Disk, 1/4" (6.35mm) thick, temps to 90°F (32°C)
	LXWIP	Wiper set for all Zebra model disk skimmers
LW Series	LXCOL-A	Aluminum collar for disk skimmers, 5/16" (7.9mm) opening
	DISK-W300	12" (300mm) Disk, 1/2" (12.7mm) thick, temps to 212°F (100°C)
	DISK-W460	18" (460mm) Disk, 1/2" (12.7mm) thick, temps to 212°F (100°C)
	DISK-W610	24" (610mm) Disk, 1/2" (12.7mm) thick, temps to 212°F (100°C)
	LXWIP	Wiper set for all Zebra model disk skimmers
	LXCOL-B	Stainless steel collar for disk skimmers, 5/16" (7.9mm) opening

Replacement Motors: Refer to charts below

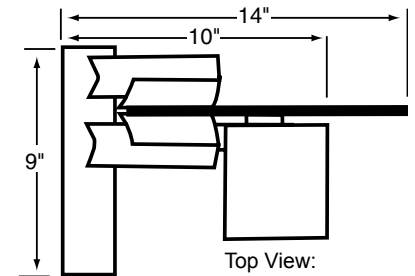
XETIMER Electrical Timer, 24 hour, 3-settings per day

Model Number	Motor Number
LH300	ML07B1
LH300E	MG06E1
LH460	ML07B1
LH460E	MG06E1
LH610	ML02A1
LH610E	ML01A1
LW300	MG07A1
LW300E	MG06E1
LW460	MG07A1
LW460E	MG06E1
LW610	ML02A1
LW610E	ML01A1

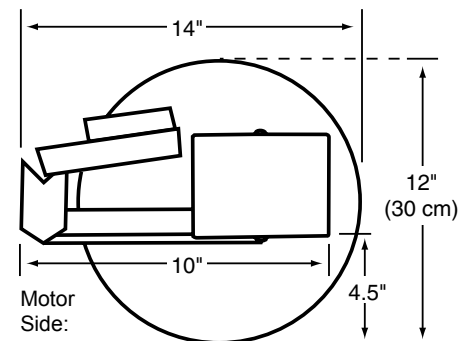
Motor Number	Volts	Hz	LRA	RPM	Watts	HP	Fan
ML07B1	115	60	0.43	7	49	0.065	N
MG07A1	115	60	0.43	7	49	0.065	Y
ML02A1	115	60	0.43	2	49	0.065	Y
MG06E1	220	50	0.22	6	48	0.064	Y
ML01A1	220	50	0.11	1	24	0.032	N



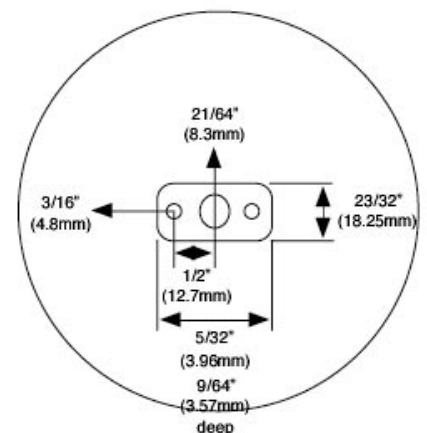
Timer



Top View:



Motor Side:



Zebra Skimmers Corporation  
 PO Box 833 Chagrin Falls, OH 44022  
[www.ZebraSkimmers.com](http://www.ZebraSkimmers.com)  
[www.CoolantMaintenance.com](http://www.CoolantMaintenance.com)  
 Toll Free 888-249-4855  
 Phone: 440.349.0141  
 Fax: 440.349.1211

© March 2008 Zebra Skimmers Corp. All rights reserved.

Contact your distributor  
 for more information